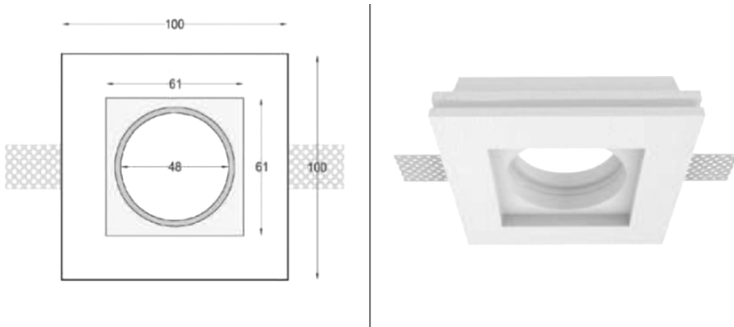




**WEISS HELLAS - INTERNA S.A.**  
MANUFACTURE FALSE CEILINGS & LIGHT FIXTURES  
ARCHITECTURAL STRUCTURES

## Recessed Spotlights for ceiling

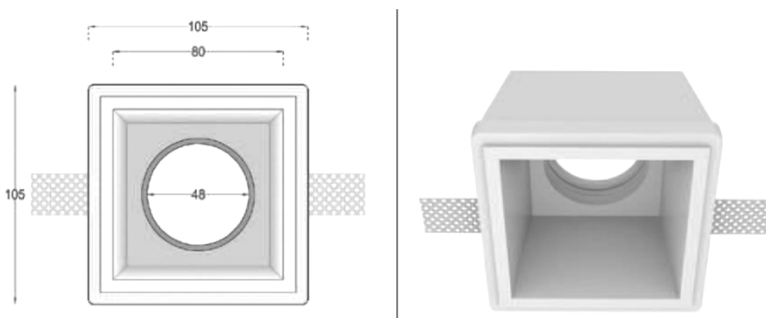
### Code WH-90.91



- Dimensions/Weight: 100 x 100 x 27 mm/290 gr
- Finishes: Natural Plaster Finish
- Lamp Holder: GU10
- Lamp Type/Max consumption/Voltage: MR16 Led or Halogen / 50 Watt / 220 – 240 V



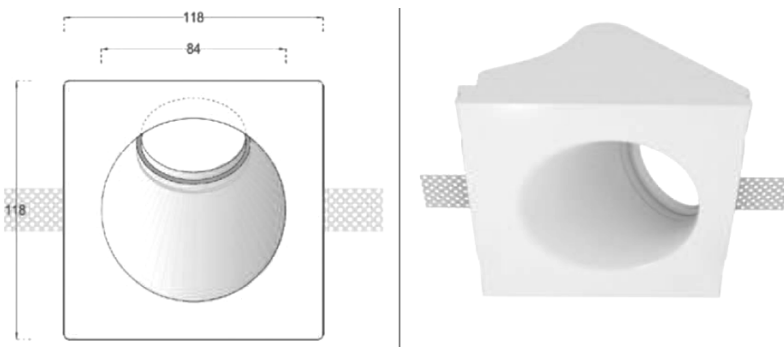
### Code WH-90.92



- Dimensions/Weight: 105 x 105 x 74 mm/630 gr
- Finishes: Natural Plaster Finish
- Lamp Holder: GU10
- Lamp Type/Max consumption/Voltage: MR16 Led or Halogen / 50 Watt / 220 – 240 V



### Code WH-90.93



- Dimensions/Weight: 118 x 118 x 65 mm/660 gr
- Finishes: Natural Plaster Finish
- Lamp Holder: GU10
- Lamp Type/Max consumption/Voltage: MR16 Led or Halogen / 50 Watt / 220 – 240 V

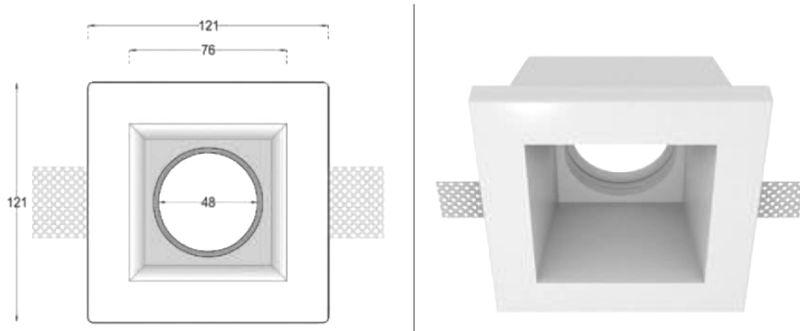




**WEISS HELLAS - INTERNA S.A.**  
MANUFACTURE FALSE CEILINGS & LIGHT FIXTURES  
ARCHITECTURAL STRUCTURES

## Recessed Spotlights for ceiling

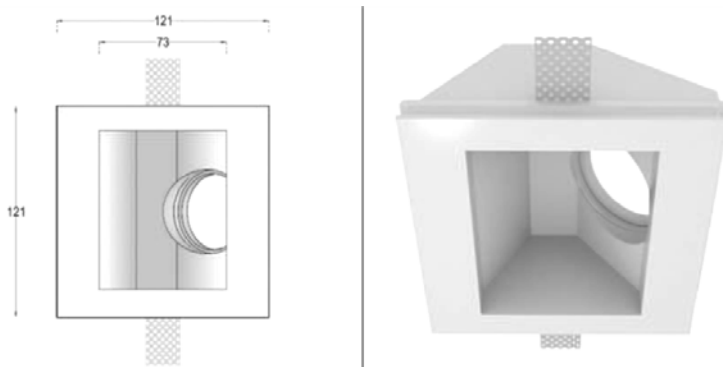
Code WH-90.94



- Dimensions/Weight: 121 x 121 x 63 mm/550 gr
- Finishes: Natural Plaster Finish
- Lamp Holder: GU10
- Lamp Type/Max consumption/Voltage: MR16 Led or Halogen / 50 Watt / 220 – 240 V



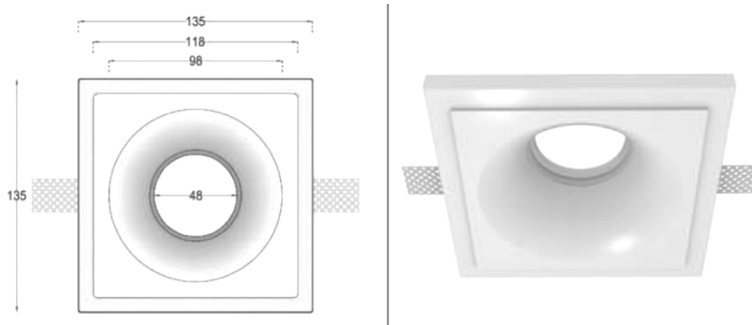
Code WH-90.95



- Dimensions/Weight: 121 x 121 x 61 mm/630 gr
- Finishes: Natural Plaster Finish
- Lamp Holder: GU10
- Lamp Type/Max consumption/Voltage: MR16 Led or Halogen / 50 Watt / 220 – 240 V



Code WH-90.96



- Dimensions/Weight: 135 x 135 x 53 mm/630 gr
- Finishes: Natural Plaster Finish
- Lamp Holder: GU10
- Lamp Type/Max consumption/Voltage: MR16 Led or Halogen / 50 Watt / 220 – 240 V

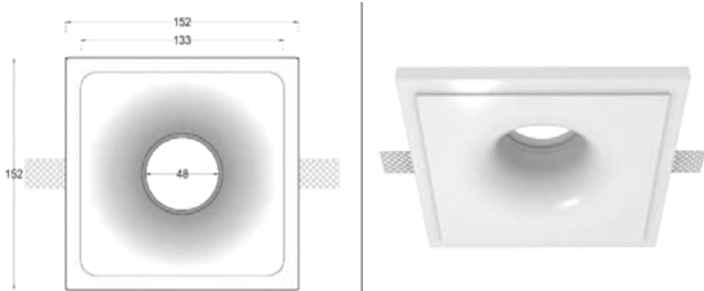




**WEISS HELLAS - INTERNA S.A.**  
MANUFACTURE FALSE CEILINGS & LIGHT FIXTURES  
ARCHITECTURAL STRUCTURES

## Recessed Spotlights for ceiling

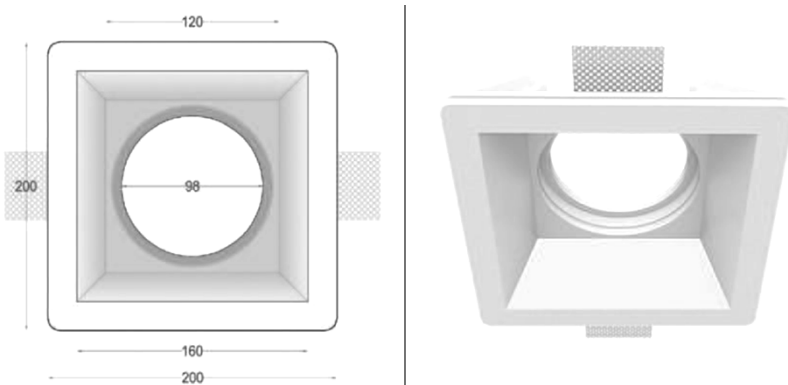
### Code WH-90.97



- Dimensions/Weight: 152 x 152 x 56 mm/725 gr
- Finishes: Natural Plaster Finish
- Lamp Holder: GU10
- Lamp Type/Max consumption/Voltage: MR16 Led or Halogen / 50 Watt / 220 – 240 V



### Code WH-90.98



- Dimensions/Weight: 200 x 200 x 76 mm/1500 gr
- Finishes: Natural Plaster Finish
- Lamp Holder: G53
- Lamp Type/Max consumption/Voltage: AR111 Led or Halogen / 75 Watt / 12 V

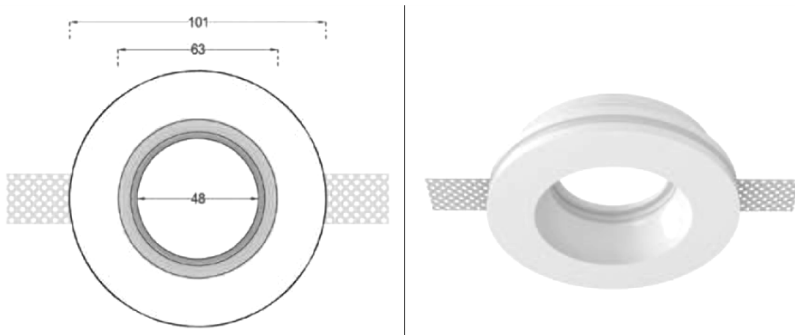




**WEISS HELLAS - INTERNA S.A.**  
MANUFACTURE FALSE CEILINGS & LIGHT FIXTURES  
ARCHITECTURAL STRUCTURES

## Recessed Spotlights for ceiling

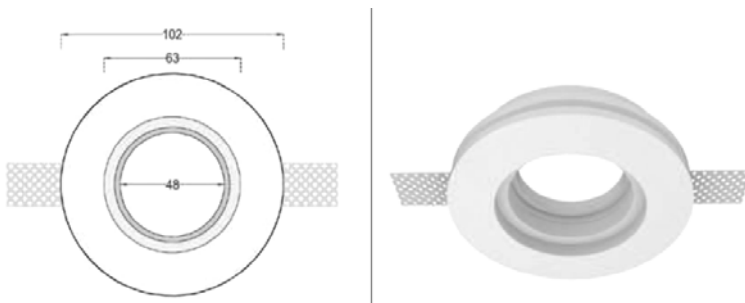
### Code WH-91.91



- Dimensions/Weight: D 101 x 29 mm/280 gr
- Finishes: Natural Plaster Finish
- Lamp Holder: GU10
- Lamp Type/Max consumption/Voltage: MR16 Led or Halogen / 50 Watt / 220 – 240 V



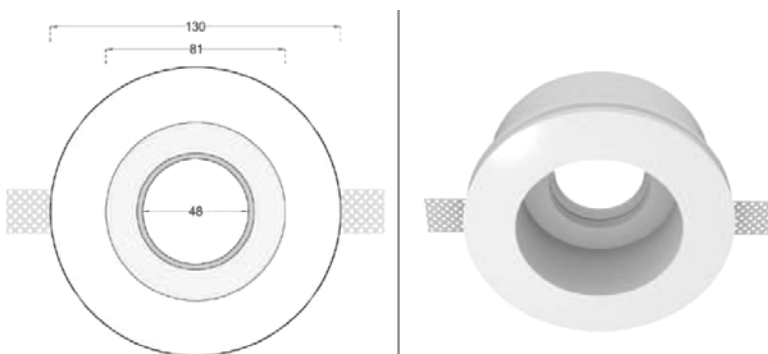
### Code WH-91.92



- Dimensions/Weight: D 102 x 27 mm/220 gr
- Finishes: Natural Plaster Finish
- Lamp Holder: GU10
- Lamp Type/Max consumption/Voltage: MR16 Led or Halogen / 50 Watt / 220 – 240 V



### Code WH-91.93



- Dimensions/Weight: D130 x 55 mm/460 gr
- Finishes: Natural Plaster Finish
- Lamp Holder: GU10
- Lamp Type/Max consumption/Voltage: MR16 Led or Halogen / 50 Watt / 220 – 240 V

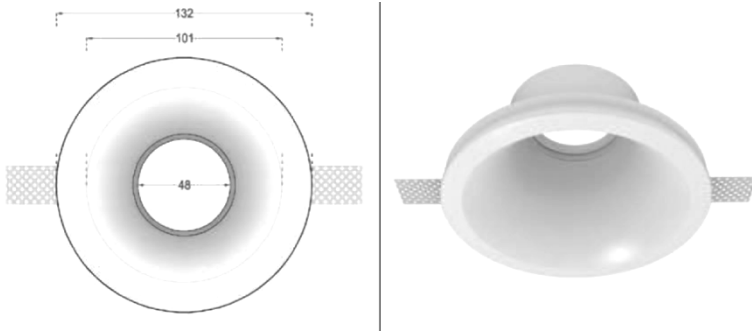




**WEISS HELLAS - INTERNA S.A.**  
MANUFACTURE FALSE CEILINGS & LIGHT FIXTURES  
ARCHITECTURAL STRUCTURES

## Recessed Spotlights for ceiling

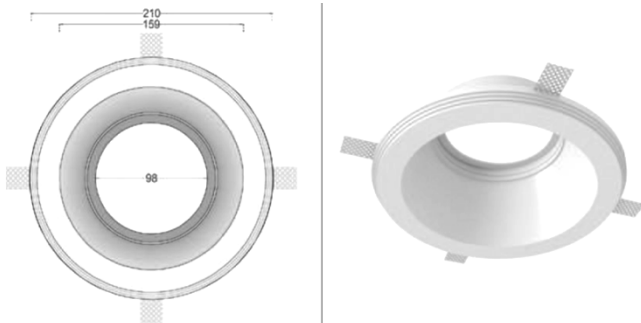
### Code WH-91.94



- Dimensions/Weight: D 132 x 68 mm/500 gr
- Finishes: Natural Plaster Finish
- Lamp Holder: GU10
- Lamp Type/Max consumption/Voltage: MR16 Led or Halogen / 50 Watt / 220 – 240 V



### Code WH-91.95



- Dimensions/Weight: D 210 x 74 mm/900 gr
- Finishes: Natural Plaster Finish
- Lamp Holder: G53
- Lamp Type/Max consumption/Voltage: AR111 Led or Halogen / 75 Watt / 12 V

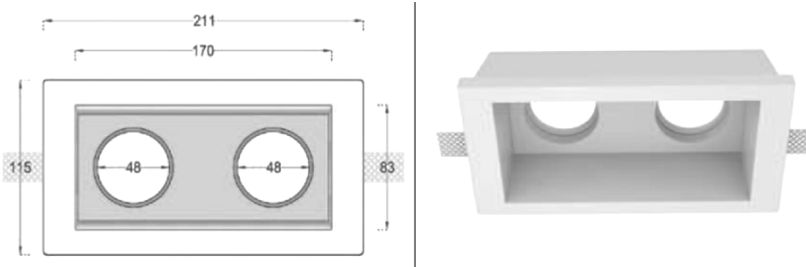




**WEISS HELLAS - INTERNA S.A.**  
MANUFACTURE FALSE CEILINGS & LIGHT FIXTURES  
ARCHITECTURAL STRUCTURES

## Recessed Spotlights for ceiling

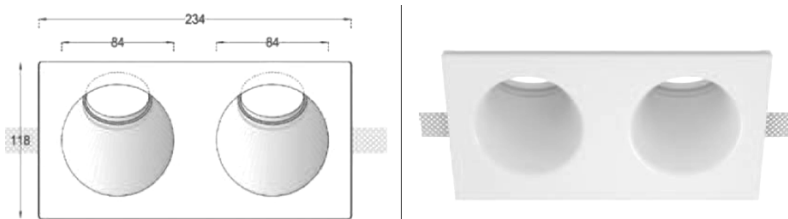
### Code WH-92.91



- Dimensions/Weight: 211 x 115 x 63 mm/550 gr
- Finishes: Natural Plaster Finish
- Lamp Holder: GU10
- Lamp Type/Max consumption/Voltage: MR16 Led or Halogen / 2 x 50 Watt / 220 – 240 V



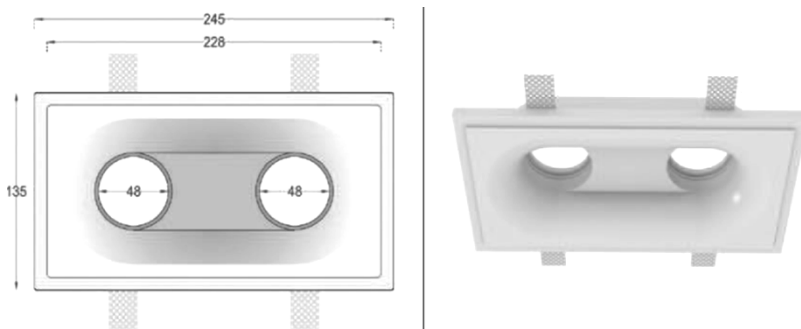
### Code WH-92.92



- Dimensions/Weight: 234 x 118 x 65 mm/1550 gr
- Finishes: Natural Plaster Finish
- Lamp Holder: GU10
- Lamp Type/Max consumption/Voltage: MR16 Led or Halogen / 2 x 50 Watt / 220 – 240 V



### Code WH-92.93



- Dimensions/Weight: 245 x 135 x 55 mm/1350 gr
- Finishes: Natural Plaster Finish
- Lamp Holder: GU10
- Lamp Type/Max consumption/Voltage: MR16 Led or Halogen / 2 x 50 Watt / 220 – 240 V

