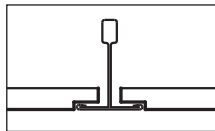


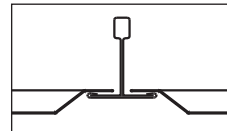
## ALUMINUM AND METAL TILES FOR T GRID SYSTEM LAY-IN (WITH FLANGE)

### DESCRIPTION

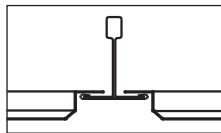
The aluminum and metal lay-in tiles of Weiss Hellas – Interna S.A. are installed in a T grid system of 24mm or 15mm. The tiles are being manufactured with the latest technology and tools.



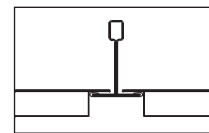
**AL 610 & Fe 610 (Low flange 1mm)**



**AL 597 & Fe 597 (Oblique flange)**



**AL 600 & Fe 600  
(Right angle 10mm canted)**



**AL 605 & Fe 605  
(Right angle)**

### RAW MATERIAL

1. Aluminum (ALLOY 99,5%)
2. Aluminum anodized mirror 99,85% purity
3. Galvanized steel (ZINC 150)
4. Stainless steel (304) with 0,5 mm and 0,6 mm thickness (other thickness available upon request).

### PERFORATION

A wide range of our standard perforations is available, as well as other perforations upon request. The perforated tiles are also provided with a black acoustic fleece for excellent sound absorption (test reports can be provided).

### COLOUR

The standard colorations of the panels are the following: White RAL 9010, silver mat RAL 9006, anodized mirror and mat finish.

Other various different colors are offered from series such as RAL, NCS, SIKKENS – upon request. The surface of the panels, is electrostatic polyester powder coated (thickness of 70 microns), free floating.

## **LIGHTING**

The tiles, can accept various types of light fixtures such as: Fluorescent light fixtures, Down lights, Halogen spot, optical fiber, etc.

## **SUSPENSION**

The T-grid system is composed of main runners, long cross tees and short cross tees. The main runner is suspended directly from the ceiling by adjustable hanger wires. Once the main runner has been installed at a center distance of \*3700mm, the long cross tees will be positioned at the center distance of \*1200mm, vertical to the main runner. The hooks of the long cross tee are inserted into the slots of the main runner. In the same way, the short cross tees are installed at a center distance of \*600mm parallel to the main runner and vertical to the long cross tee. The hooks of the short cross tee will be inserted in the middle slots of the long cross tee. After the T-grid is complete, the tiles are simply laid on the grid.

\* (different distance for other module).

## **FIRE RATINGS**

The lay-in tiles of Weiss Hellas – Interna S.A. have been tested and approved by national authorities, specializing in the field, meeting the standards concerning surface flame spread and toxicity. Test reports can be provided upon request.

Furthermore, special tests have proved that the product of Weiss Hellas – Interna S.A. in the case of a fire, release no toxic fumes that can be harmful to human life.

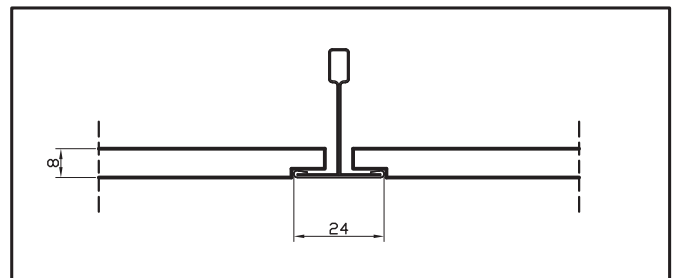
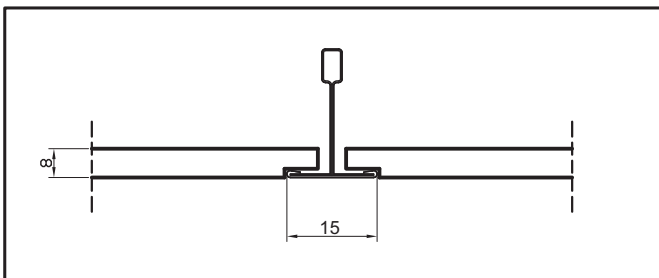
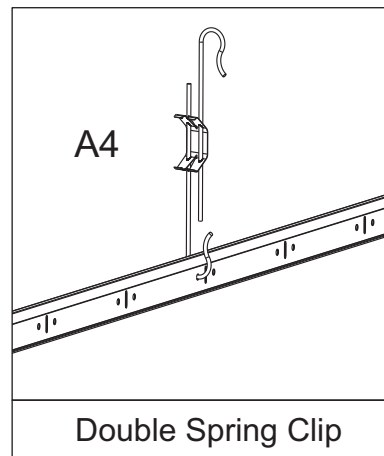
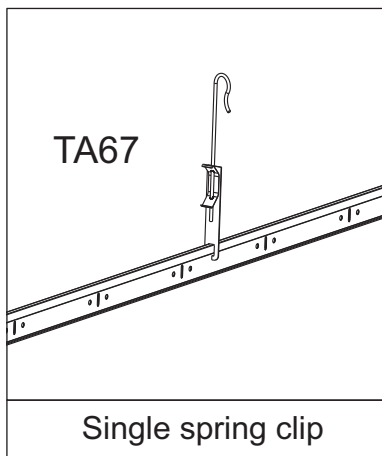
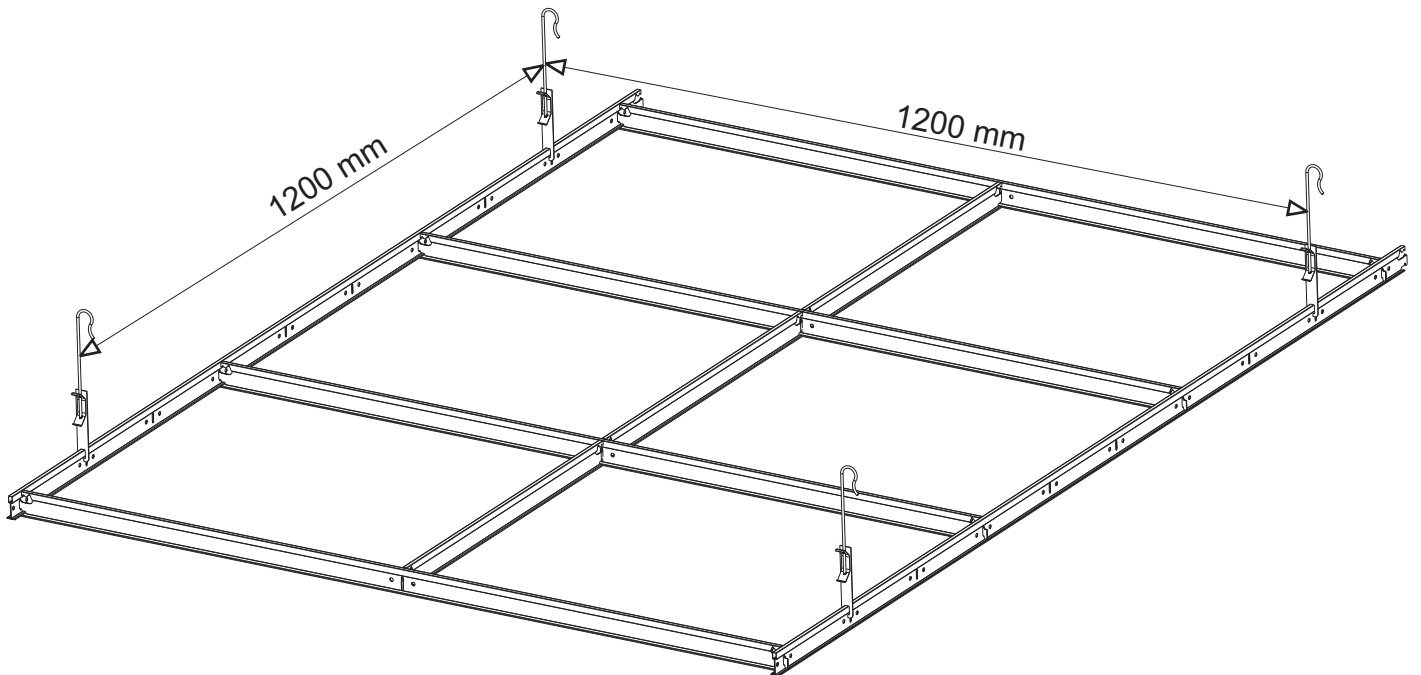
## **DIMENSIONS**

❖ 600 x 600 mm

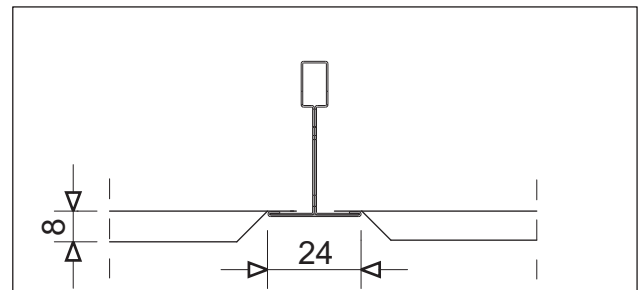
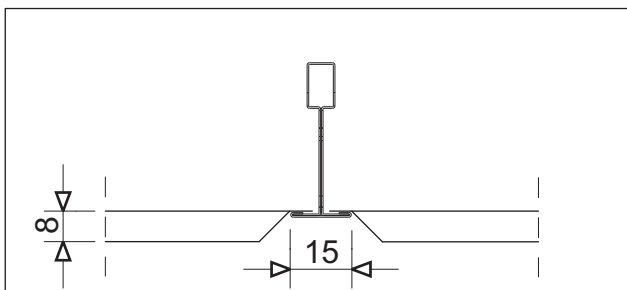
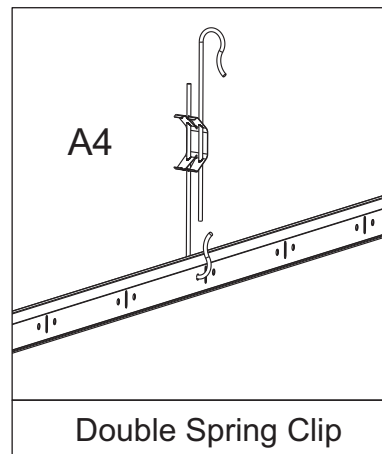
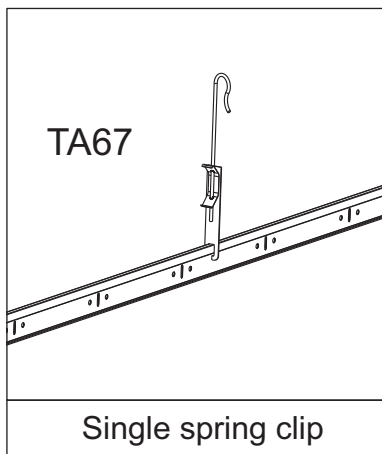
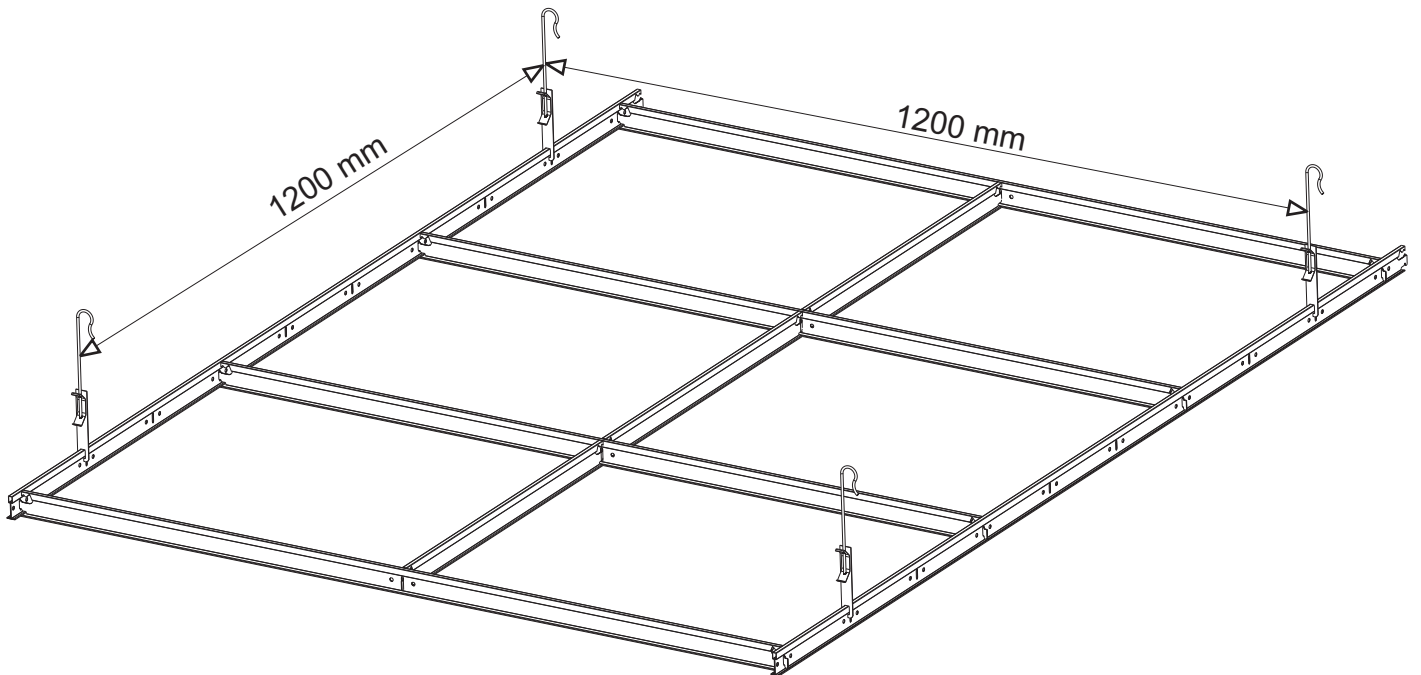
## **QUALITY**

All products of WEISS HELLAS-INTERNA SA are being manufactured under the international safety and quality regulations and they have the following certificates: MED-D-2055 – CE – MED-B-9360 (WHEEL MARK) – INTERNATIONAL AWARD FOR QUALITY AND TECHNOLOGY 1997.

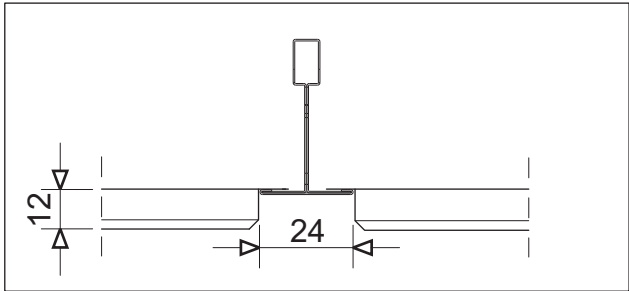
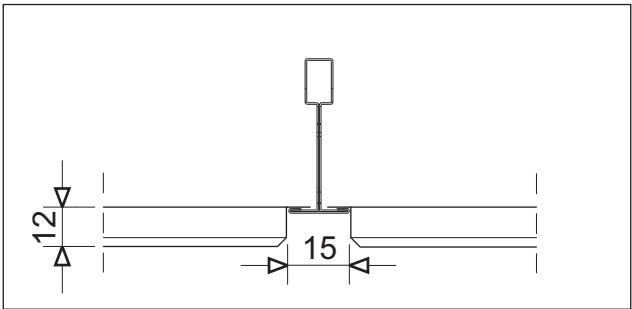
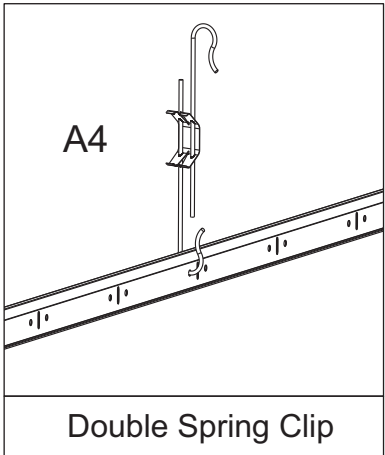
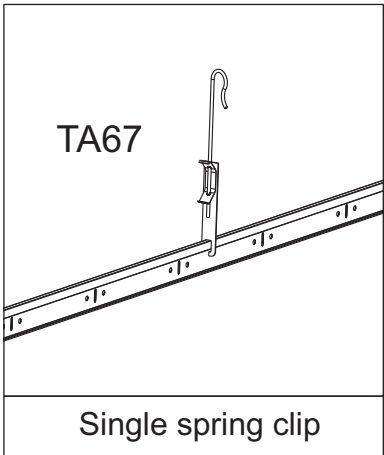
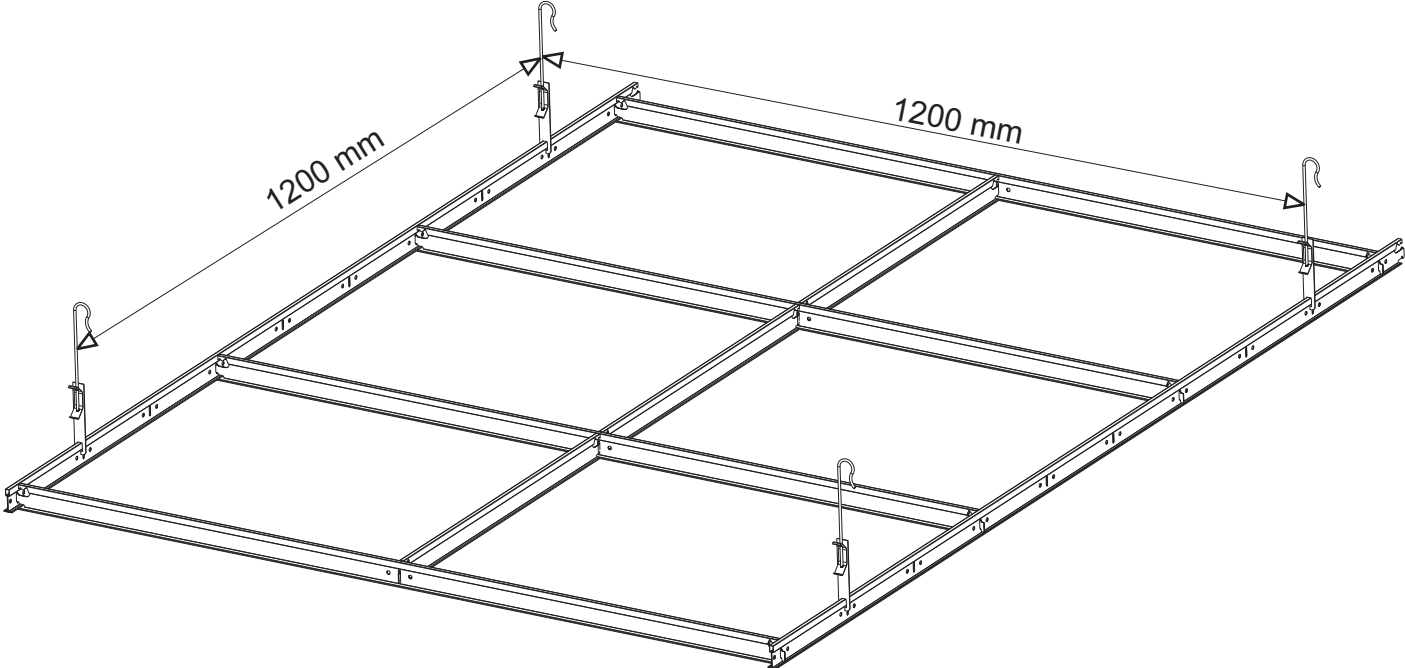
# AL - Fe 610



# AL - Fe 597



# AL - Fe 600



# AL - Fe 605

