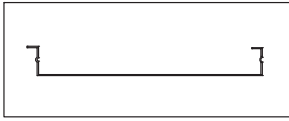


STRIP PANELS TYPE AL – Fe A200 – AL – Fe A300



Strips formed of hard aluminum foil 0,6mm thickness or steel foil 0,5mm-0,6mm thickness.

They are offered in the following width:

200 X 28mm

300 X 28mm

The aluminum strips with the addition of aluminum bead of 16mm width, make a total width axle by axle 100-150-200 mm respectively. The leaves of aluminum strips are configured as ribs inward limbs. It is not necessary to add aluminum bead on this type of strip, thus they may have 16mm opening between them.

It is also offered with perforation, whereas it can accept (in the back side) a specific black acoustic for a better sound-proof.

It can also accept glass wool, rock wool and any other heat insulating materials.

This type of false ceiling is offered in a variety of colors, as well as in aluminum mat mirror and aluminum gold mirror color.

It is susceptible to adaptation of Light Fittings, air grilles or ventilation grilles and it's practical from the option of concealing hydraulic-air conditioned and electrical installations.

It's time resistant, moisture resistant, anticancer, fireproof and handy.

In order to set the strips, an amount of 3cm height away from roof, or more at any desired height, is required.

SUSPENSION

The strips up to 3m length are perched in wall angle "L" 24 x 24 or in wall angle "W" 20 x 20 x 20 x 20 mm, without the need of a supporting beam.

The strips with length over than 3m are suspended in a galvanized supporting beam of 0,6mm thickness with dimension 38 x 20mm, via suspensions that are consisted of galvanized wire hanger. Then of course ceases to be self-supporting. Alternative solution in this case is the strip type "Z").

APPLICATIONS

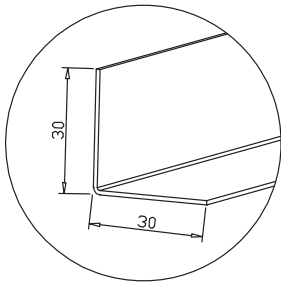
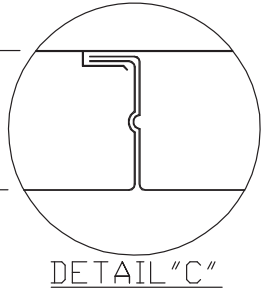
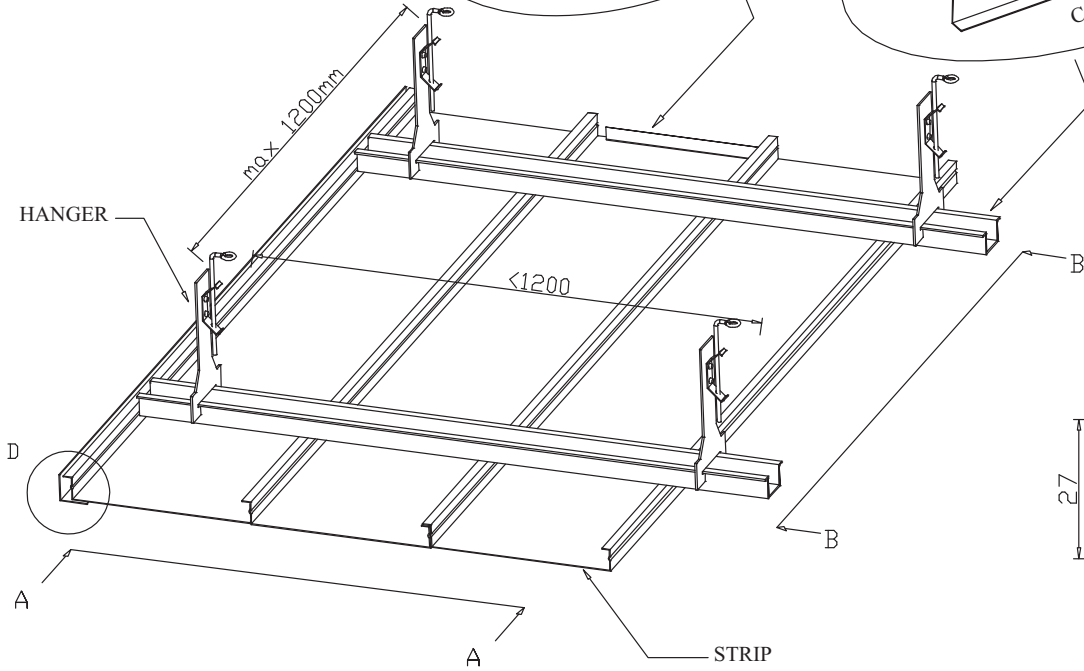
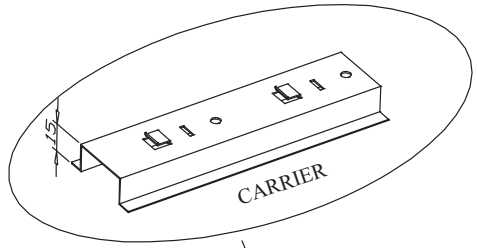
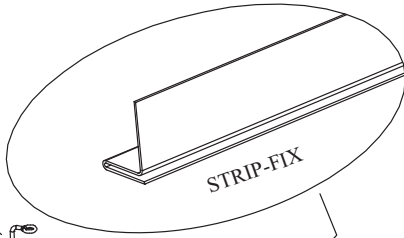
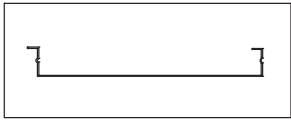
◇ **COMMERCIAL CENTERS (MALLS)**

◇ **HOTELS**

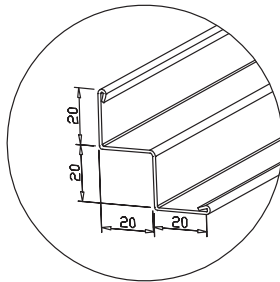
◇ **AIRPORTS**

◇ **CINEMAS**

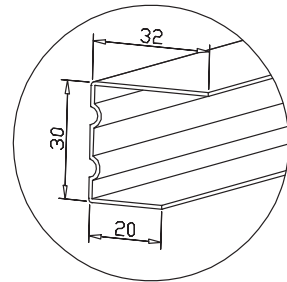
STRIP A200



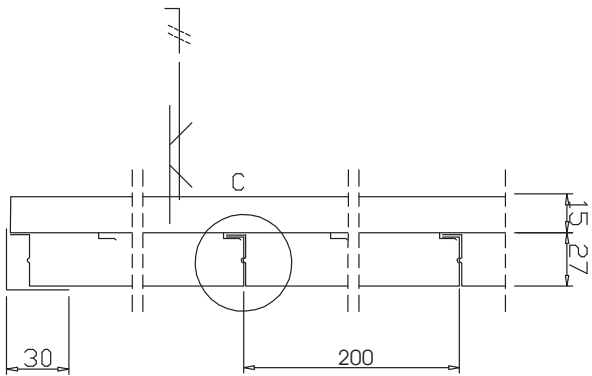
<GL 30>



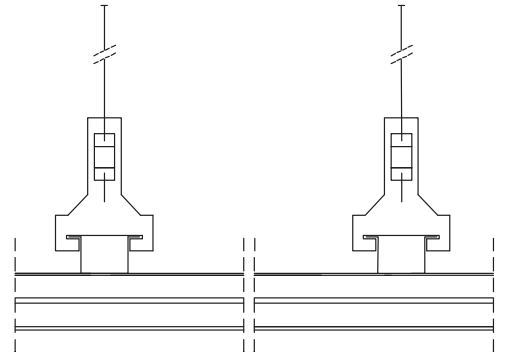
<GW>
DETAIL "D"



<PI 3030>



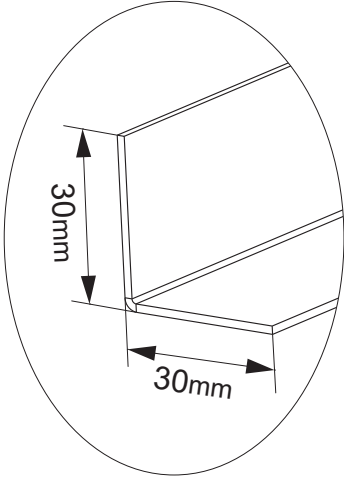
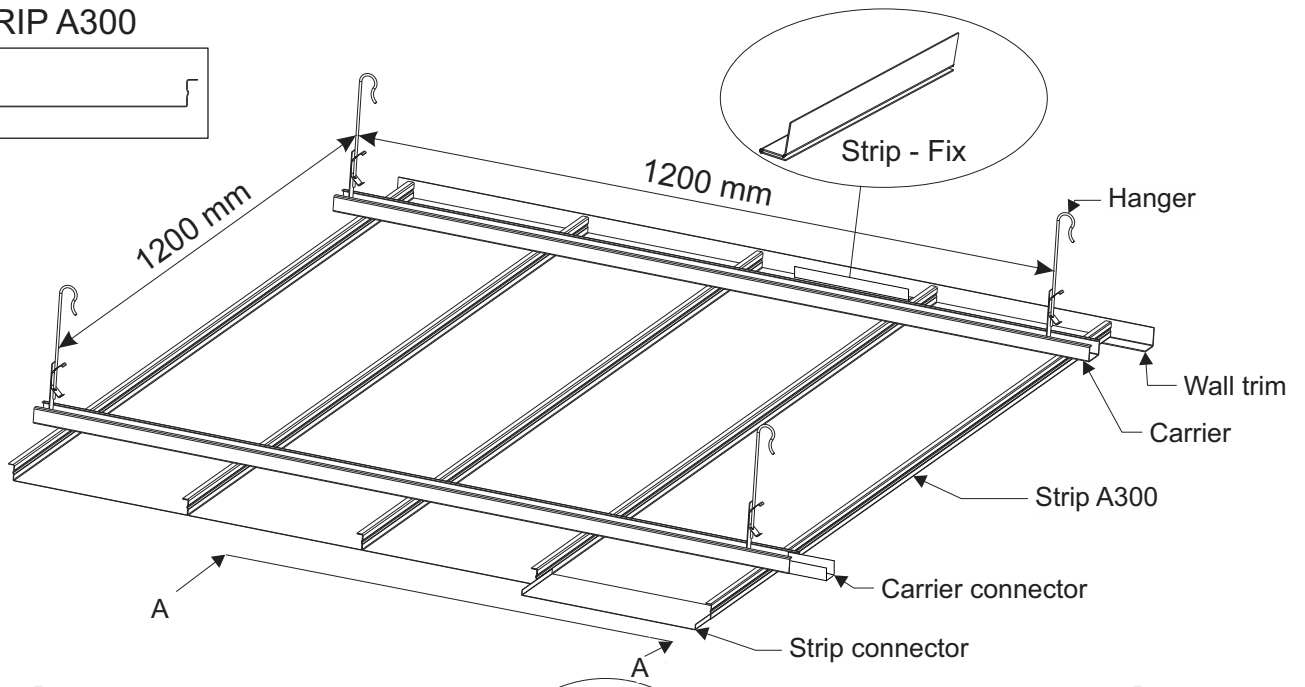
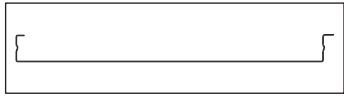
DETAIL "A-A"



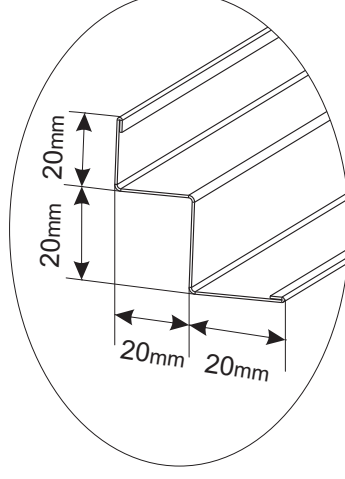
DETAIL "B-B"



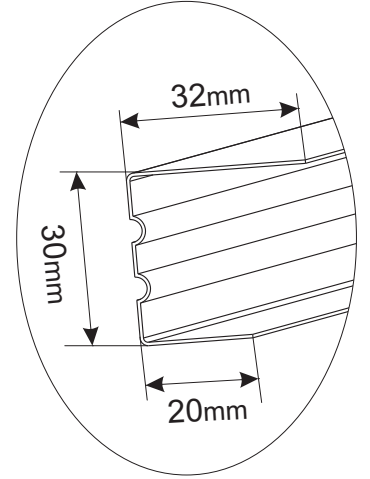
STRIP A300



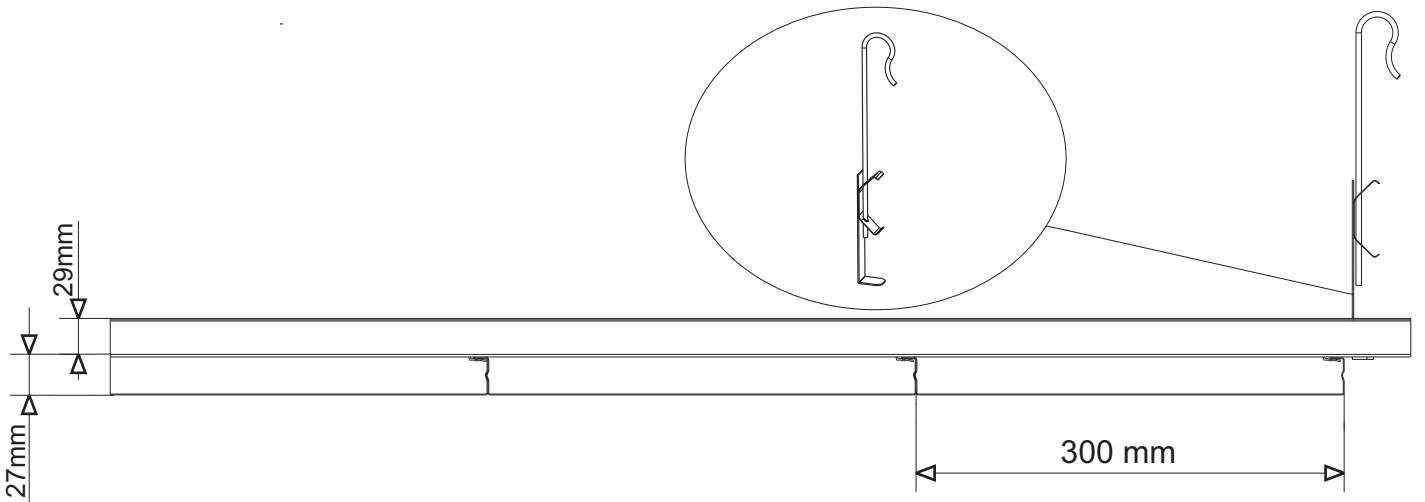
Wall trim GL 30



Wall trim GW



Wall trim PI 3030



DETAIL A-A

